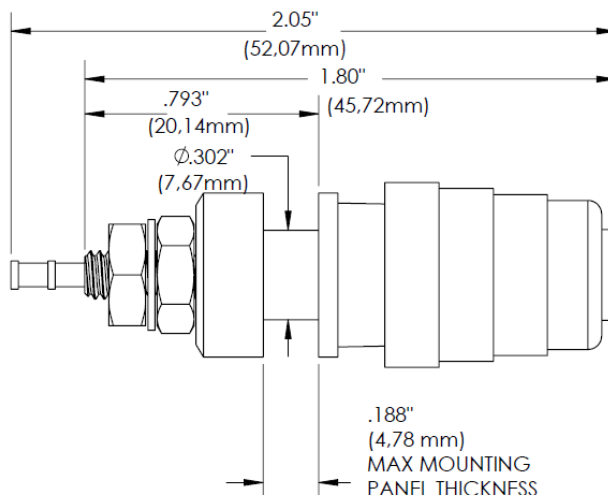


**Model 73094**

**Top Loading Binding Posts, Quick Wire Attachment**



**Features**

- Secure wires quickly; simply, pull and hold down the top of the binding post, insert wire into the opening, and release the top of the binding post to secure your connection
- Mounts are a #8 hole
- Max mounting panel thickness of 0.188" (4,78mm)
- Use up to 15 AWG wire gauge
- Great for any applications where a standard 5-Way or Spring Loaded Binding Post are used

**Materials**

Body: Nickel-plated brass  
 Insulation: Valox (UV and fire resistant)

**Specifications**

<b>Voltage</b>	33 V AC / 70 V DC, *1000 V
<b>Max Current</b>	15 A
*Maximum voltage for hands free use: 1000 V. Do not use on circuits where transient stresses can exceed the rated voltage	

**Ordering Information**

Model: 73094-*color*  
**Color:** 0=Black, 2=Red  
 Top Loading Binding Post, Quick Wire Attachment

**USA:** Sales: 800-490-2361  
 Technical Support: [technicalsupport@pomonatest.com](mailto:technicalsupport@pomonatest.com)  
 Fax: 425-446-5844  
**Europe:** 31-(0) 40 2675 150 **International:** 425-446-5500  
**Where to Buy:** [www.pomonaelectronics.com](http://www.pomonaelectronics.com)

All dimensions are in inches. Tolerances (except noted): .xx = ±.02" (.51 mm), .xxx = ± .005" (.127 mm). All specifications are to the latest revisions. Specifications are subject to change without notice. Registered trademarks are the property of their respective companies.