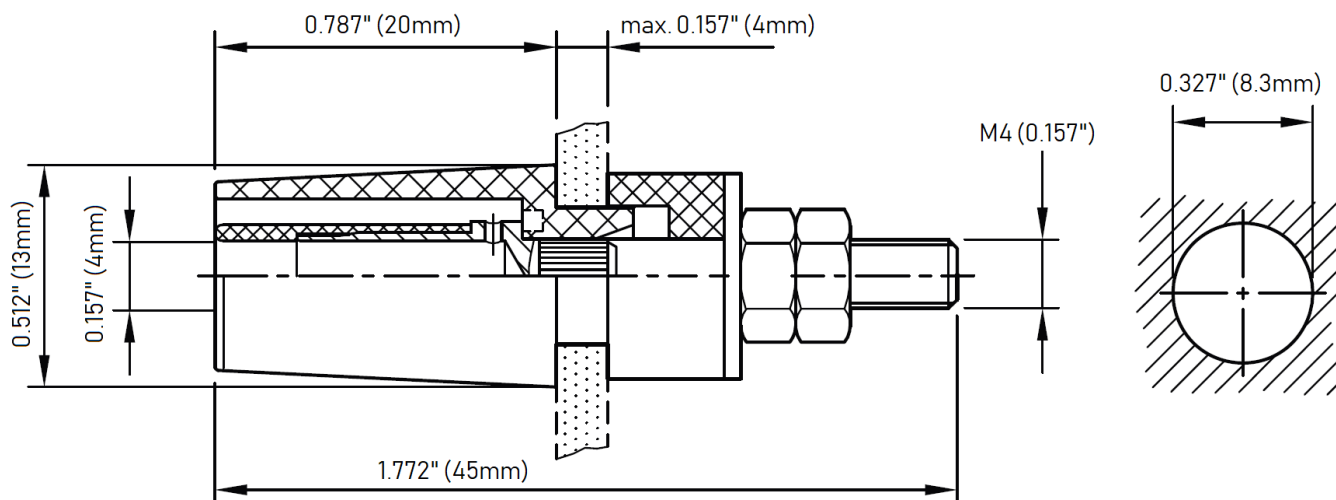


Model 73098
4mm Mounting Safety Jack**Features**

- Insulated 4mm safety jack for sheathed banana plugs
- Ideal for mounting in pre-drilled panels
- Safety jack is raised for easy access
- Machined brass
- Includes panel mount banana jack and 2 hex nuts
- Compatible with popular Pomona test lead models 5907A, 5908A, and 5909A test lead sets

Ratings

Voltage: CAT II 1000V

Current: 32 A

Ordering InformationModel: 73098-*color**Color*: 0=Black, 2=Red, 6=Blue

4mm Mounting Safety Jack



USA: Sales: 800-490-2361
Technical Support: technicalsupport@pomonatest.com
Fax: 425-446-5844
Europe: 31-(0) 40 2675 150 **International:** 425-446-5500
Where to Buy: www.pomonaelectronics.com

All dimensions are in inches. Tolerances (except noted): .xx = ±.02" (.51 mm), .xxx = ±.005" (.127 mm). All specifications are to the latest revisions. Specifications are subject to change without notice. Registered trademarks are the property of their respective companies.